



BOS-EBV series electric brush self-cleaning screen filter, vertical type.

BOS-EBV es filtro de malla autolimpiante con cepillo, eléctrico, con instalación vertical.

## Technical Data

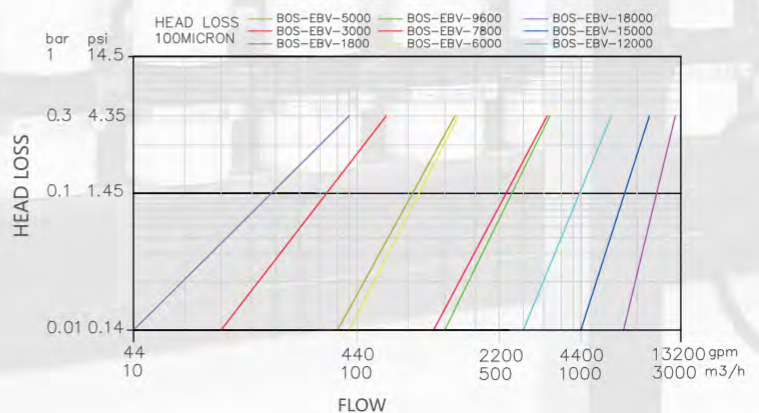
### Datos Técnicos

Max. Working Pressure psi / Presión Máx. de Trabajo psi ( MPa )	145 ( 1.0 ) / 232 ( 1.6 ) / 362.5 ( 2.5 )
Min. Cleaning Pressure psi / Presion Min. de Lavado psi ( MPa )	14.5 ( 0.1 )
Inlet/Outlet Flange inch / Brida Entrada/Salida Pulgadas ( mm )	3"-24" ( DN80-DN600 )
Housing Diameter inch / Diametro Carcasa Pulgadas ( mm )	8"-36" ( $\Phi$ 219- $\Phi$ 916 )
Flowrate gpm / Caudal gpm ( m <sup>3</sup> /h )	≤12320 ( 2800 )
Filtration Area inch <sup>2</sup> / Superficie de Filtracion pulgada <sup>2</sup> ( cm <sup>2</sup> )	279-4030 ( 1800-26000 )
Micron Rating / Grado Micron ( $\mu$ m )	20-3500
Cleaning Mode / Modo Limpieza	Differential Pressure / Timing / Manual Presión Diferencial / Calendario / Manual
Max. Working Temperature °F / Temperatura Max. de Trabajo °F ( °C )	158 ( 70 )
Rated Voltage / Tensión Nominal de Funcionamiento	3-phase / De 3 Fases, 380 / 400V, 50HZ
Motor Power hp / Potencia del Motor (kw)	0.12-1.02 ( 0.09-0.75 )
Control Voltage / Tensión de Control	220V / 230V AC

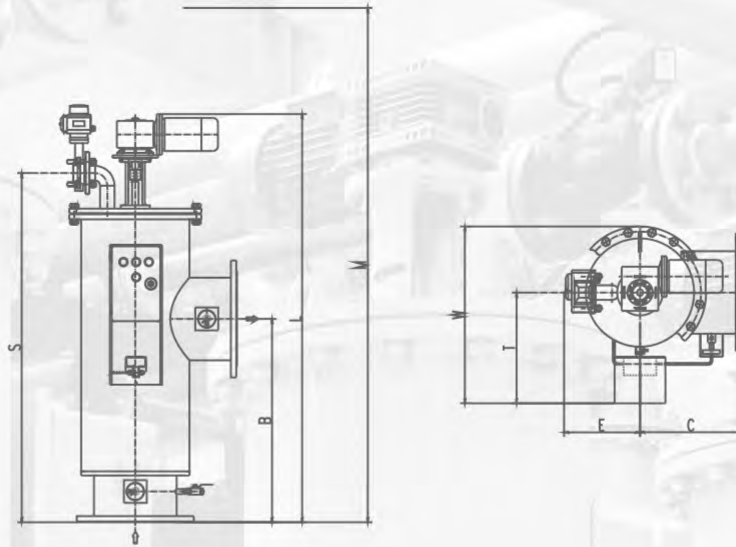
Model Modelo	Max. Flow Caudal Max.		Filtration Surface Superficie Filtrada	Connection / Conexion (DN/PN1.0)		Cleaning Cycle Ciclo de Limpieza			
	gpm	m <sup>3</sup> /h	inch <sup>2</sup> (cm <sup>2</sup> )	Inlet-Outlet Entrada-Salida inch (mm)	Drain Drenaje inch (mm)	Flow Caudal gpm (l/s)	Time Tiempo (s)	Water Consumption Consumo De Agua gal (l)	Power Potencia hp(kw)
BOS-EBV1800/3C	220	50	124 800	3" 80	1" 25	19 1.2	15	4.76 18	0.24 0.18
BOS-EBV1800/4C	352	80	279 1800	4" 100	1" 25	19 1.2	15	4.76 18	0.24 0.18
BOS-EBV3000/4C	352	80	465 3000	4" 100	1.5" 40	47.6 3	15	11.89 45	0.24 0.18
BOS-EBV3000/6C	704	160	465 3000	6" 150	1.5" 40	47.6 3	15	11.89 45	0.24 0.18
BOS-EBV5000/6C	704	160	775 5000	6" 150	1.5" 40	47.6 3	15	11.89 45	0.36 0.25
BOS-EBV5000/8C	1320	300	775 5000	8" 200	1.5" 40	47.6 3	15	11.89 45	0.36 0.25
BOS-EBV6000/6C	704	160	930 6000	6" 150	1.5" 40	47.6 3	15	11.89 45	0.36 0.25
BOS-EBV6000/8C	1320	300	930 6000	8" 200	1.5" 40	47.6 3	15	11.89 45	0.36 0.25
BOS-EBV6000/10C	1980	450	930 6000	10" 250	2" 50	79.3 5	30	39.63 150	0.36 0.25
BOS-EBV7800/10C	1980	450	1209 7800	10" 250	2" 50	79.3 5	30	39.63 150	0.50 0.37
BOS-EBV7800/12C	2860	650	1209 7800	12" 300	2" 50	79.3 5	30	39.63 150	0.50 0.37
BOS-EBV7800/14C	3960	900	1209 7800	14" 350	2" 50	79.3 5	30	39.63 150	0.50 0.37
BOS-EBV9600/10C	1980	450	1488 9600	10" 250	2" 50	79.3 5	30	39.63 150	0.50 0.37
BOS-EBV9600/12C	2860	650	1488 9600	12" 300	2" 50	79.3 5	30	39.63 150	0.50 0.37
BOS-EBV9600/14C	3960	900	1488 9600	14" 350	2" 50	79.3 5	30	39.63 150	0.50 0.37
BOS-EBV10600/12C	2860	650	1643 10600	12" 300	2" 50	79.3 5	30	39.63 150	0.50 0.37
BOS-EBV10600/14C	3960	900	1643 10600	14" 350	2" 50	79.3 5	30	39.63 150	0.50 0.37
BOS-EBV12000/14C	3960	900	1860 12000	14" 350	2" 50	79.3 5	30	39.63 150	1.02 0.75
BOS-EBV12000/16C	5280	1200	1860 12000	16" 400	2" 50	79.3 5	30	39.63 150	1.02 0.75
BOS-EBV12000/18C	6600	1500	1860 12000	18" 450	2.5" 65	126.8 8	60	126.8 480	1.02 0.75
BOS-EBV15000/16C	5280	1200	2325 15000	16" 400	2.5" 65	126.8 8	60	126.8 480	1.02 0.75
BOS-EBV15000/18C	6600	1500	2325 15000	18" 450	2.5" 65	126.8 8	60	126.8 480	1.02 0.75
BOS-EBV15000/20C	8800	2000	2325 15000	20" 500	2.5" 65	126.8 8	60	126.8 480	1.02 0.75
BOS-EBV18000/24C	10560	2600	2790 18000	24" 600	2.5" 65	126.8 8	60	126.8 480	1.02 0.75
BOS-EBV26000/24C	12320	2800	4030 26000	24" 600	2.5" 65	126.8 8	60	126.8 480	1.02 0.75

Notice: The maximum flow rate and cleaning data is based on the data of 100 micron filtration grade and good water quality. The actual filtration flow and the selected filtration grade are related to water quality. Please refer to our company for details.

Nota: Los datos del caudal maximo y limpieza se basan en los datos de 100 micrones como grado de filtrado y la buena calidad del agua. El caudal real y su grado filtrado seleccionados estan relacionados con la calidad del agua. Pongase en contacto con nuestra empresa para obtener mas detalles.

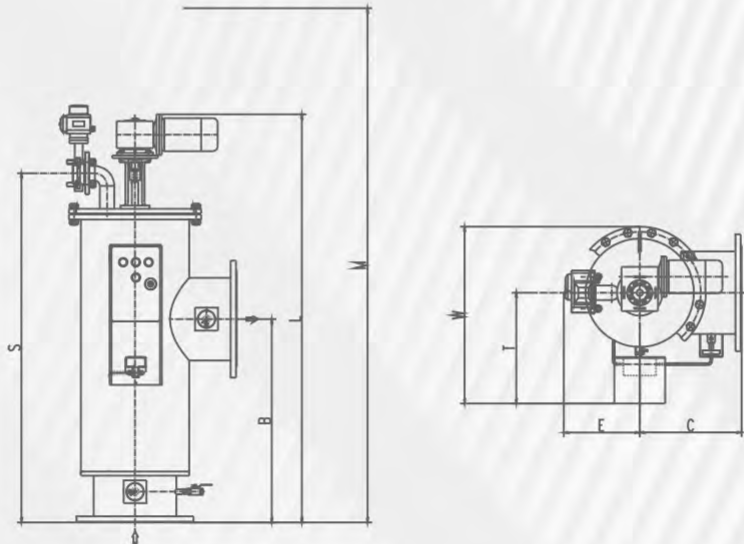


**Dimensions | Dimensiones**



Model / Modelo	Dimensions / Dimensiones inch ( mm )									Empty Weight Peso Vacio (kg)	With Water Con Agua (kg)
	L	W	D	B	S	C	E	T	M		
BOS-EBV1800/3C	35.51 902	16.02 407	23.62 600	15.75 400	27.17 690	11.02 280	12.60 320	8.86 225	59.06 1500	66	86
BOS-EBV1800/4C	35.51 902	16.02 407	23.62 600	15.75 400	27.17 690	11.02 280	12.60 320	8.86 225	59.06 1500	70	90
BOS-EBV3000/4C	43.54 1106	20.28 515	25.59 650	15.75 400	31.93 811	12.21 310	13.39 340	13.07 332	66.93 1700	105	135
BOS-EBV3000/6C	43.54 1106	20.28 515	25.59 650	15.75 400	31.93 811	12.21 310	13.39 340	13.07 332	66.93 1700	140	170
BOS-EBV5000/6C	56.69 1440	23.43 595	25.98 660	25.59 650	47.64 1210	13.78 350	12.20 310	15.16 385	110.24 2800	160	240
BOS-EBV5000/8C	56.69 1440	23.43 595	25.98 660	25.59 650	47.64 1210	13.78 350	12.20 310	15.16 385	110.24 2800	175	255
BOS-EBV6000/6C	53.66 1363	25.79 655	25.04 636	23.62 600	41.93 1065	15.04 382	10 254	15.79 401	82.68 2100	198	260
BOS-EBV6000/8C	53.66 1363	25.79 655	25.04 636	23.62 600	41.93 1065	15.04 382	10 254	15.79 401	82.68 2100	208	275
BOS-EBV6000/10C	53.66 1363	25.79 655	25.04 636	23.62 600	41.93 1065	15.04 382	10 254	15.79 401	82.68 2100	230	300
BOS-EBV7800/10C	55.24 1403	28.74 730	29.06 738	23.62 600	43.82 1113	16.81 427	12.24 311	17.24 438	86.61 2200	210	360
BOS-EBV7800/12C	55.24 1403	28.74 730	29.06 738	23.62 600	43.82 1113	16.81 427	12.24 311	17.24 438	86.61 2200	230	385
BOS-EBV7800/14C	55.24 1403	28.74 730	29.06 738	23.62 600	43.82 1113	16.81 427	12.24 311	17.24 438	86.61 2200	270	430
BOS-EBV9600/10C	61.46 1561	28.74 730	29.06 738	23.62 600	50.24 1276	16.81 427	12.24 311	17.24 438	98.43 2500	240	390
BOS-EBV9600/12C	61.46 1561	28.74 730	29.06 738	23.62 600	50.24 1276	16.81 427	12.24 311	17.24 438	98.43 2500	280	430
BOS-EBV9600/14C	61.46 1561	28.74 730	29.06 738	23.62 600	50.24 1276	16.81 427	12.24 311	17.24 438	98.43 2500	320	470

Model / Modelo	Dimensions / Dimensiones inch ( mm )									Empty Weight Peso Vacio (kg)	With Water Con Agua (kg)
	L	W	D	B	S	C	E	T	M		
BOS-EBV10600/12C	63.39 1661	28.74 730	29.06 738	23.62 600	54.17 1376	16.81 427	12.24 311	17.24 438	106.3 2700	300	480
BOS-EBV10600/14C	63.39 1661	28.74 730	29.06 738	23.62 600	54.17 1376	16.81 427	12.24 311	17.24 438	106.3 2700	340	530
BOS-EBV12000/14C	67.13 1705	41.34 1050	41.93 1065	31.5 800	56.1 1425	23.23 590	18.7 475	23.43 595	98.43 2500	440	700
BOS-EBV12000/16C	67.13 1705	41.34 1050	41.93 1065	31.5 800	56.1 1425	23.23 590	18.7 475	23.43 595	98.43 2500	460	730
BOS-EBV12000/18C	67.13 1705	41.34 1050	41.93 1065	31.5 800	56.1 1425	23.23 590	18.7 475	23.43 595	98.43 2500	480	780
BOS-EBV15000/16C	72.13 1832	41.69 1059	41.81 1062	35.43 900	61.1 1552	23.23 590	18.7 475	23.43 595	108.27 2750	720	1200
BOS-EBV15000/18C	72.13 1832	41.69 1059	41.81 1062	35.43 900	61.1 1552	23.23 590	18.7 475	23.43 595	108.27 2750	740	1220
BOS-EBV15000/20C	72.13 1832	41.69 1059	41.81 1062	35.43 900	61.1 1552	23.23 590	18.7 475	23.43 595	108.27 2750	765	1250
BOS-EBV18000/24C	75.39 1915	46.42 1179	47.48 1206	37.4 950	64.37 1635	25.59 650	21.89 556	26.42 671	118.11 3000	1000	1600
BOS-EBV26000/24C	81.22 2063	49.17 1249	54.72 1390	43.31 1100	72.05 1830	29.53 750	25.20 640	30.71 780	120.47 3060	1200	1800



# BOS-EBV

